

NOTES:

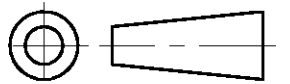
- 1 THIS AREA IS RESERVED FOR CONTACTS.
- 2 DIRECTION OF KINK OPTIONAL.
- 3 PRODUCT SPECIFICATION: 108-19052

DO NOT SCALE

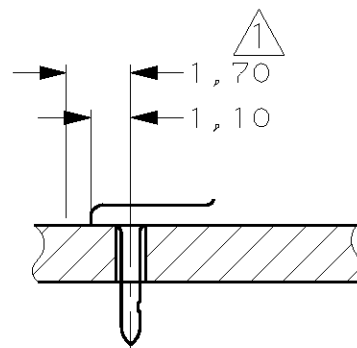
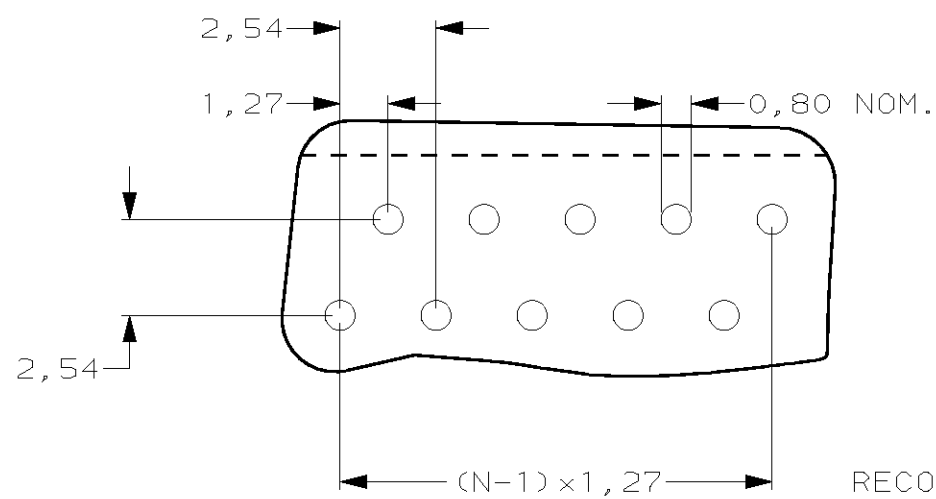
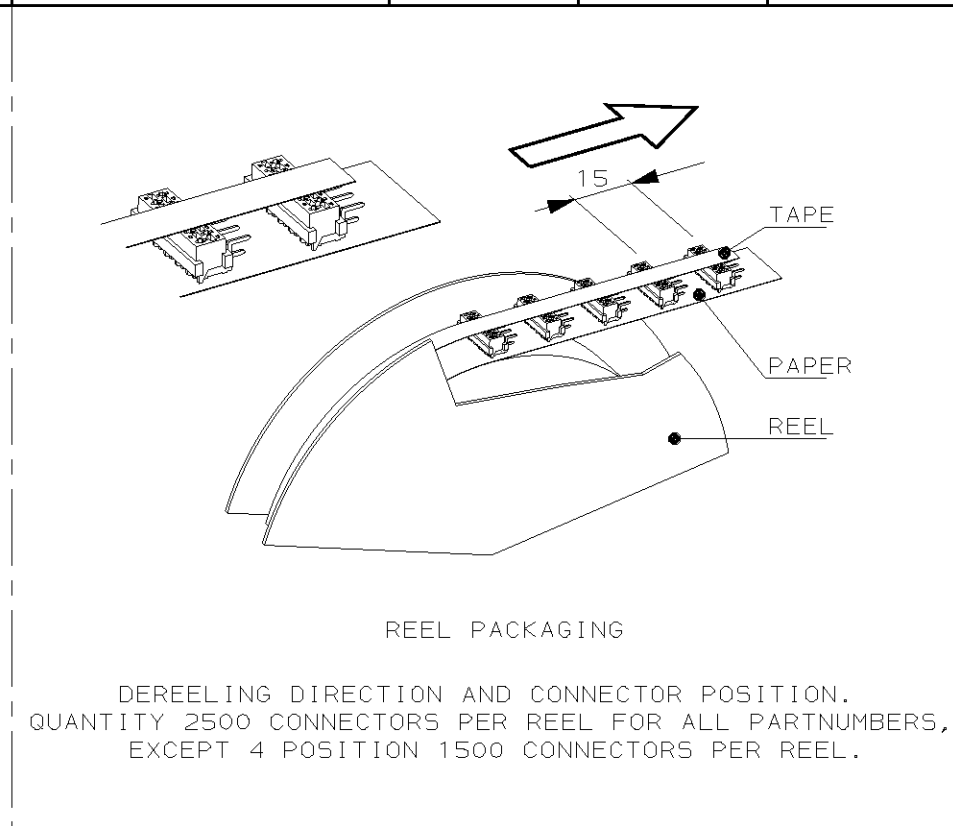
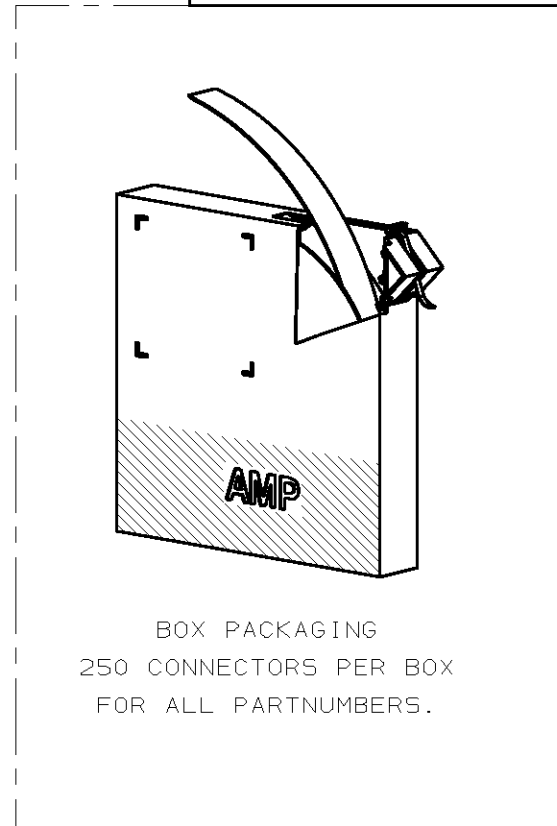
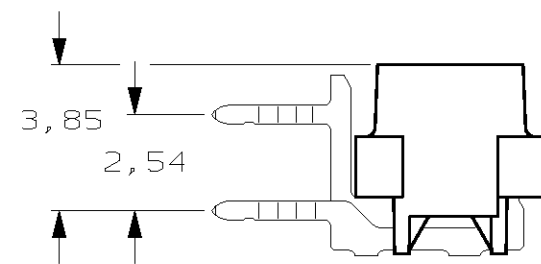
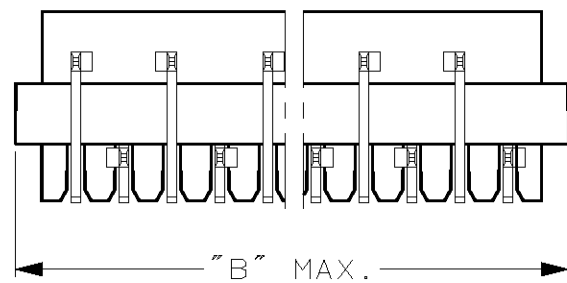
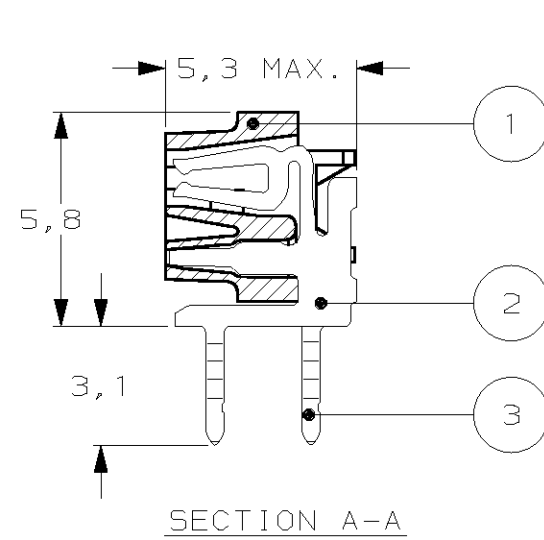
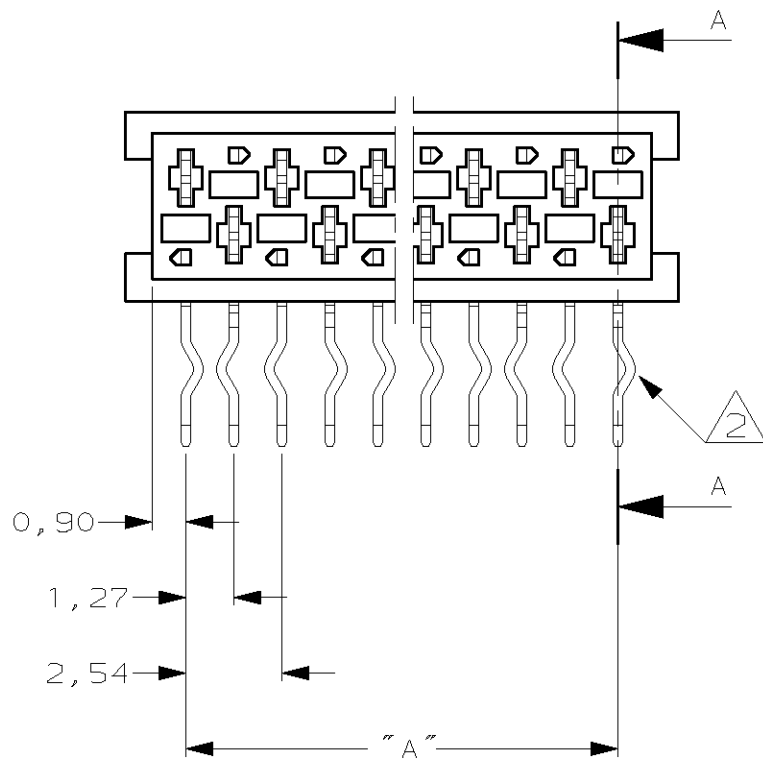
DIMENSIONS IN mm

METRIC

THIRD ANGLE  
PROJECTION



PARTNUMBERS BOX PACKAGING	PARTNUMBERS REEL PACKAGING	NUMBER OF POSITIONS	"A"	"B"
7-100400-4	0-100400-4	4	3,81	7,1
7-100400-6	0-100400-6	6	6,35	9,7
7-100400-8	0-100400-8	8	8,89	12,2
8-100400-0	1-100400-0	10	11,43	14,7
8-100400-2	1-100400-2	12	13,97	17,3
8-100400-4	1-100400-4	14	16,51	19,8
8-100400-6	1-100400-6	16	19,05	22,4
8-100400-8	1-100400-8	18	21,59	24,9
9-100400-0	2-100400-0	20	24,13	27,4



RECOMMENDED PCB-HOLE LAY-OUT  
NOT SOLDER SIDE SHOWN

FINISH	MATERIAL	DESCRIPTION	ITEM
TIN OVER NICKEL PLATING.	PHOSPHORBRONZE	FEMALE CONTACT	3
TIN OVER NICKEL PLATING.	PHOSPHORBRONZE	FEMALE CONTACT	2
	GLASS FILLED POLYESTER (RED)	HOUSING	1

CUSTOMER DRAWING					FOR REFERENCE ONLY WILL NOT BE UPDATED				
© COPYRIGHT 19- BY AMP-HOLLAND B.V. ALL INTERNATIONAL RIGHTS RESERVED. AMP PRODUCTS MAY BE COVERED BY U.S. AND FOREIGN AND/OR PATENTS PENDING.									
THIS DRAWING IS UNPUBLISHED RELEASED FOR PUBLICATION , 19									
G EHC0-0337-04 JvdH EL 17 JUN 04					NAME				
F EH01-0232-04 JvdH EL 16 FEB 04					AMP-HOLLAND B.V. 's-Hertogenbosch, The Netherlands.				
E EH01-0506-03 JvdH RV 24 JUN 03					Micro-MaTch FEMALE ON BOARD				
LTR. REVISION RECORD DR. CHK. DATE					SIDE ENTRY WITHOUT POLARIZATION				

DR.: J. V. DREUMEL	CHK.: H. KOKKEN	APP.: -	DWG.No.	REV.LTR.	SHEET
DATE: 29-10-1991	DATE: 29 OCT 1991	DATE: -	100400	G	1 OF 1